

MET 1-PHASE CONTROL AND ISOLATION TRANSFORMER

P: 500VA IN: 240-415VAC OUT: 110-110-20VAC

Single-phase - Control and Isolation Transformers
500 VA
Isolation class T 60/B

[Link to Product](#)**Illustration**

Product may differ from Image

Approvals**Input**

Input voltage	240/415 V AC
Short-circuit current	51.33 A (240 V AC); 29.7 A (415 V AC)
Input current	2.3 A (240 V AC); 1.36 A (415 V AC)
Inrush current	58.3 A (240 V AC); 33.6 A (415 V AC)
Frequency	50...60 Hz

Output

Output voltage	110/240 V AC
Output rating	500 VA

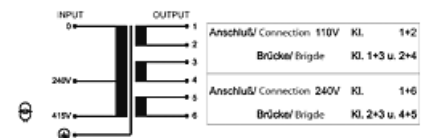
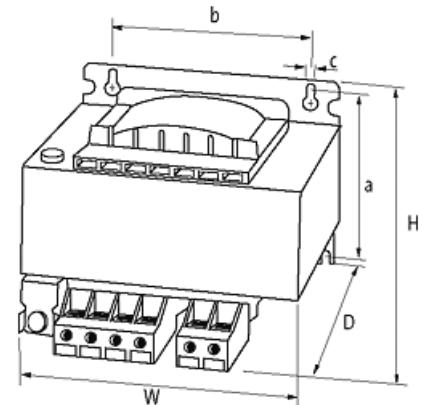
General data

Standards	EN 61558-1, EN 61558-2-4, EN 62041 category 0
Test isolation voltage	4 kV (prim./sec.)
Mounting method	Key-hole mounting
Fixing centers a×b×c	90×122×7 mm
Drill hole Ø	7×11 mm
Dimensions H×W×D	112.6×150×170 mm
Temperature range	-20...+60 °C (storage temperature -40...+80 °C)

Commercial data

country of origin	CZ
customs tariff number	85043180
EAN	4048879079013
eClass	27031302
Packaging unit	1

Sketch



Product may differ from Image